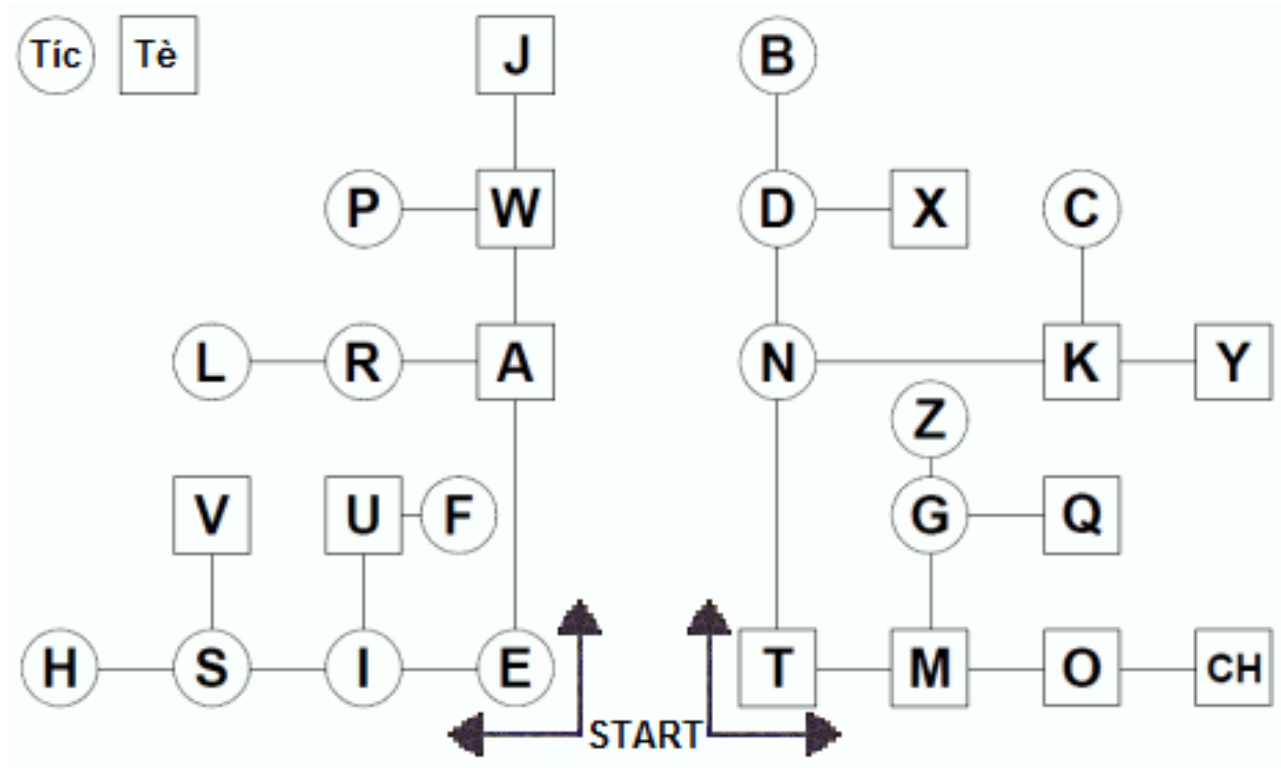


MORSE CODE TOWER

Tháp Morse Code



NOTE: Basically, the tower is another form of the morse code alphabet chart. If you can remember some basic rules of the tower, you can easily use it to decode a message quickly.

1. There are two towers; one start with TÍC and the other start with TÈ.
2. Tíc symbolize by the circles and the squares (rectangle) represent TÈ.
3. With the tower (left side) start with TÍC: if you move horizontal, it would be Tíc and move up would be TÈ.

These rules apply vice versa with the tower start with TÈ (right side).

TÍC: move horizontal = Tíc & move up = TÈ

TÈ: move horizontal = TÈ & move up = Tíc

4. Each morse tower from the beginning move in all directions no more than 5 units.
5. Just remember, hear the sound and follow the tower.

Examples:

- •• (When you hear Tíc and next sound is tè = that's is the letter A)
- •••• (You hear TÈ and the next sound are Tíc Tíc Tíc = that's the letter B)
- •••• (Same thing, when you hear TÈ Tíc TÈ Tíc = that's the letter C)